



**ULTIMATRON  
FRANCE**

**5 YEARS  
WARRANTY**

# Technical sheet

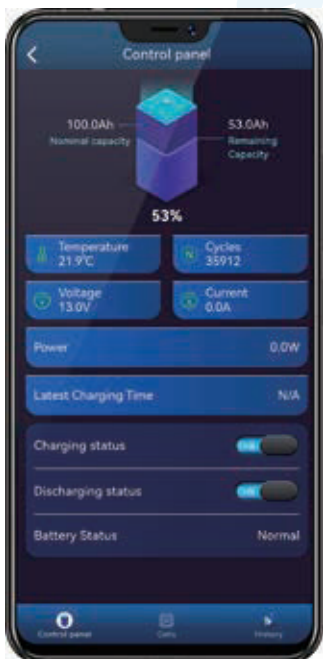
ULTIMATRON LiFePO4 Smart BMS Lithium Battery  
ULM-51.2-200H (with Heater)



Note: 48V installation, parallel connection only, no series connection

## Integrated Battery Management System (BMS)

To allow the control and the charge of the different elements of an accumulator battery and to protect it against overcharging, overvoltages and overheating.



## Heating Features

- ★ The integrated heating function starts automatically at temperatures below 0°C when an external charging current (around 7A) is applied. The integrated heating function will not consume the energy from the battery.
- ★ Integrated Heating foils, the battery can be charged at the extreme environment in **-35°C**.

## Compared with traditional batteries, our lithium iron phosphate batteries (LiFePO4) have many advantages:

- 5 years manufacturer's warranty
- The safest technology, without risk of fire or explosion
- Long service life
- Constantly improving storage capacity
- High stability even under extreme loads
- No memory effect, no need for full charge and discharge cycles
- High performance even under extreme conditions
- Deep and regular discharge and charging efficiency

## Integrated Bluetooth 4.0 monitoring



You have all important battery data always on your smartphone or tablet. The application displays the data in real time.





### ULTIMATRON LiFePO4 Smart BMS Lithium Battery ULM-51.2-200H (with Heater)

#### ELECTRICAL PERFORMANCE

Nominal Voltage	51.2V
Nominal Capacity	200Ah
Capacity @ 40A	200min
Energy	10240Wh
Resistance	≤10 mΩ @ 50% SOC
Self Discharge	<3% / Month
Number of Cycles	>6000 @ 80% DoD

#### CHARGE PERFORMANCE

Recommended Charge Current	40A
Maximum Charge Current	100A
Recommended Charge Voltage	58.4V
Charge Cut-Off Voltage	58.4V±0.2V
Reconnect Voltage	>40V
Balancing Voltage	<57.6V

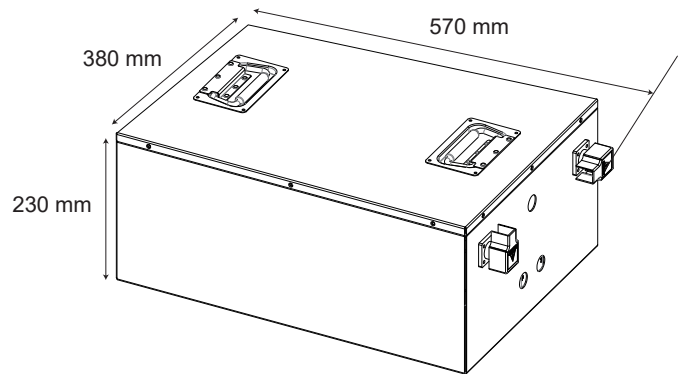
#### DISCHARGE PERFORMANCE

Maximum continuous Discharge Current	250A
Peak Discharge Cut-Off Current	300A (5 ~15 ms)
Discharge Cut-Off Voltage	43.2V (2000 ms)
Reconnect Voltage	>40V
Short Circuit Protection	200 ~ 800 μs

#### TEMPERATURE PERFORMANCE

Discharge Temperature	-20 ~ 60 °C
Charge Temperature	0 ~ 45 °C
Heater Working Temperature	-35 ~ 5 °C ❄️
Storage Temperature	0 ~ 40 °C

#### DIMENSION



Dimension with terminals L570\*W380\*H230 mm

#### MECHANICAL PERFORMANCE

Weight	88kg
Terminal Type	M8
Terminal Torque	80 ~ 100 in-lbs (9 ~ 11 N-m)
Case Material	Metal
Ingress Protection Code	IP64
Bluetooth	Bluetooth 4.0 with smartphone app
Heating Foil	50W

#### COMPLIANCE

Certifications	CE
	UN38.3
	UL1642 & IEC62133
Shipping Classification	ECE R10
	UN 3480, CLASS 9

