

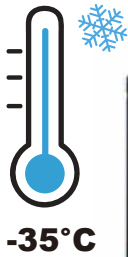


**ULTIMATRON
FRANCE**

**5 YEARS
WARRANTY**

Technical sheet

ULTIMATRON LiFePO4 Smart BMS Lithium Battery
ULM-51.2-100H (with Heater)



Note: 48V installation, parallel connection only, no series connection

Integrated Battery Management System (BMS)

To allow the control and the charge of the different elements of an accumulator battery and to protect it against overcharging, overvoltages and overheating.

Heating Features

- ★ The integrated heating function starts automatically at temperatures below 0°C when an external charging current (around 7A) is applied. The integrated heating function will not consume the energy from the battery.
- ★ Integrated Heating foils, the battery can be charged at the extreme environment in **-35°C**.

Compared with traditional batteries, our lithium iron phosphate batteries (LiFePO4) have many advantages:

- 5 years manufacturer's warranty
- The safest technology, without risk of fire or explosion
- Long service life
- Constantly improving storage capacity
- High stability even under extreme loads
- No memory effect, no need for full charge and discharge cycles
- High performance even under extreme conditions
- Deep and regular discharge and charging efficiency

Integrated Bluetooth 4.0 monitoring



You have all important battery data always on your smartphone or tablet. The application displays the data in real time.



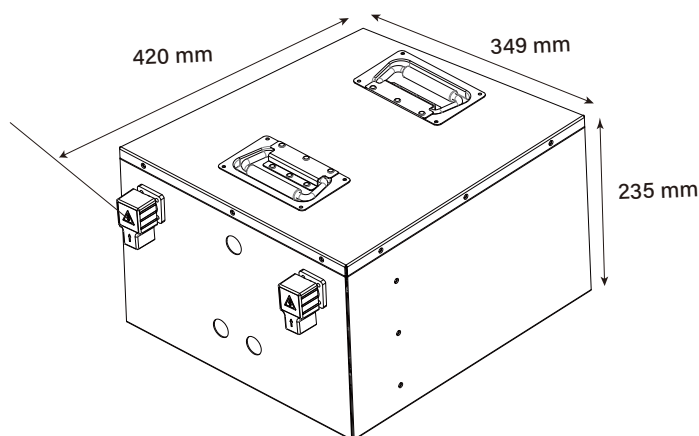


ULTIMATRON LiFePO4 Smart BMS Lithium Battery ULM-51.2-100H (with Heater)

ELECTRICAL PERFORMANCE

Nominal Voltage	51.2V
Nominal Capacity	100Ah
Capacity @ 20A	300min
Energy	5120Wh
Resistance	≤10 mΩ @ 50% SOC
Self Discharge	<3% / Month
Number of Cycles	>6000 @ 80% DoD

DIMENSION



Dimension with terminals L420*W349*H235 mm

CHARGE PERFORMANCE

Recommended Charge Current	20A
Maximum Charge Current	50A
Recommended Charge Voltage	58.4V
Charge Cut-Off Voltage	58.4V±0.2V
Reconnect Voltage	>40V
Balancing Voltage	<57.6V

MECHANICAL PERFORMANCE

Weight	43kg
Terminal Type	M8
Terminal Torque	80 ~ 100 in-lbs (9 ~ 11 N-m)
Case Material	Metal
Ingress Protection Code	IP64
Bluetooth	Bluetooth 4.0 with smartphone app
Heating Foil	50W

DISCHARGE PERFORMANCE

Maximum continuous Discharge Current	200A
Peak Discharge Cut-Off Current	300A(5~15ms)
Discharge Cut-Off Voltage	43.2V(2000ms)
Reconnect Voltage	>40V
Short Circuit Protection	200~800μs

COMPLIANCE

Certifications	CE UN38.3 UL1642 & IEC62133 ECE R10
Shipping Classification	UN 3480, CLASS 9

TEMPERATURE PERFORMANCE

Discharge Temperature	-20 ~ 60 °C
Charge Temperature	0 ~ 45 °C
Heater Working Temperature	-35 ~ 5°C ❄️
Storage Temperature	0 ~ 40 °C