

# Street lighting

PV solution for road applications



SSL-Li

# SSL-Li



## Descrizione prodotto

Lampione ad alimentazione fotovoltaica per illuminazione di strade o parcheggi con lampada a LED ad alta efficienza e batteria al litio (LiFePO<sub>4</sub>) di nuova generazione grazie alla quale il lampione SSL-Li presenta un design compatto e gradevole, bassi costi di manutenzione, massima funzionalità, efficienza e affidabilità.

Disponibile in diverse taglie di: potenza lampada, batteria e modulo FV per adattarsi a installazioni in tutto il mondo.

[eng]

## Product description

Photovoltaic powered streetlamp for street or parking lighting with high efficiency LED luminaire and new generation lithium battery (LiFePO<sub>4</sub>) thanks to which the SSL-Li streetlamp has a compact and pleasant design, low maintenance costs, maximum functionality, efficiency and reliability.

Available in different sizes of: luminaire power, battery and PV module to adapt to installations all over the world.

[fra]

## Description du produit

Lampadaire photovoltaïque pour l'éclairage des rues ou des parkings avec lampe à LED à haute efficacité et batterie au lithium de nouvelle génération (LiFePO<sub>4</sub>) grâce à laquelle le lampadaire SSL-Li a un design compact et agréable, de faibles coûts d'entretien, une fonctionnalité maximale, efficacité et fiabilité. Disponible en différentes tailles de: puissance de la lampe, batterie et module PV pour s'adapter aux installations du monde entier.



PV tilt 50°

SSL-Li 50



PV tilt 25°

SSL-Li 25

## Caratteristiche prodotto



LiFePO<sub>4</sub> 12 VDC battery, longlife and high performance



High efficiency LED lamps

[eng]

## Product features



MPPT technology charge controller



Flux reduction self management to prevent low battery level

[fra]

## Caractéristiques du produit



Bluetooth control & monitoring



Compact design all-in-one power box

## Lampade disponibili

[eng] Available lamps

[fra] Lampes disponibles



Sun Light Silver XS 24-42  
LED lamp



Sun Light Silver S 60-84  
LED lamp

Pag. 36

(Maggiori informazioni - More info - Plus d'informations)

## Batterie disponibili

[eng] Available batteries

[fra] Batteries disponibles



60Ah - LiFePO<sub>4</sub>  
Battery capacity



100Ah - LiFePO<sub>4</sub>  
Battery capacity

## Monitoraggio e Controllo

Il lampione SSL-Li monta il regolatore di carica Western CO. SPB-20 con controllo remoto Bluetooth® integrato. Attraverso applicazione su smartphone o PC, è possibile visualizzare il funzionamento dell'intero lampione, in particolare permette di:

- misurare la corrente / tensione del modulo FV, della batteria e della lampada;
- settare i parametri di accensione della lampada;
- visualizzare i dati del logger.

Questo sistema facilita l'installazione e il controllo del lampione garantendo un'efficace ed efficiente manutenzione.

A richiesta può essere fornito il lampione con il regolatore SPB-LS GSM con modem 2G per controllo e monitoraggio a distanza.

[eng]

## Monitoring and control

The SSL-Li streetlamp has a Western CO. SPB-20 charge controller with integrated Bluetooth® remote control. Through application on smartphone or PC, it is possible to view the operation of the entire streetlamp, in particular it allows you to:

- measure the current / voltage of the PV module, the battery and the luminaire;
- set the luminaire ignition parameters;
- view the logger data.

This system facilitates the installation and control of the streetlamp, ensuring effective and efficient maintenance. On request, the streetlamp can be supplied with the SPB-LS GSM controller with 2G modem for remote control and monitoring.

[fra]

## Surveillance et contrôle

Le lampadaire SSL-Li possède un contrôleur de charge Western CO. SPB-20 avec commande à distance Bluetooth® intégrée. Grâce à une application sur smartphone ou ordinateur, il est possible de visualiser le fonctionnement de l'ensemble du lampadaire, en particulier il vous permet de:

- mesurer le courant / la tension du module PV, de la batterie et de la lampe;
- définir les paramètres d'allumage de la lampe;
- afficher les données de l'enregistreur.

Ce système facilite l'installation et le contrôle du lampadaire, assurant une maintenance efficace et efficiente. Sur demande, le lampadaire peut être fourni avec le contrôleur GSM SPB-LS avec modem 2G pour le contrôle et la surveillance à distance.



**Bluetooth control  
included as standard**

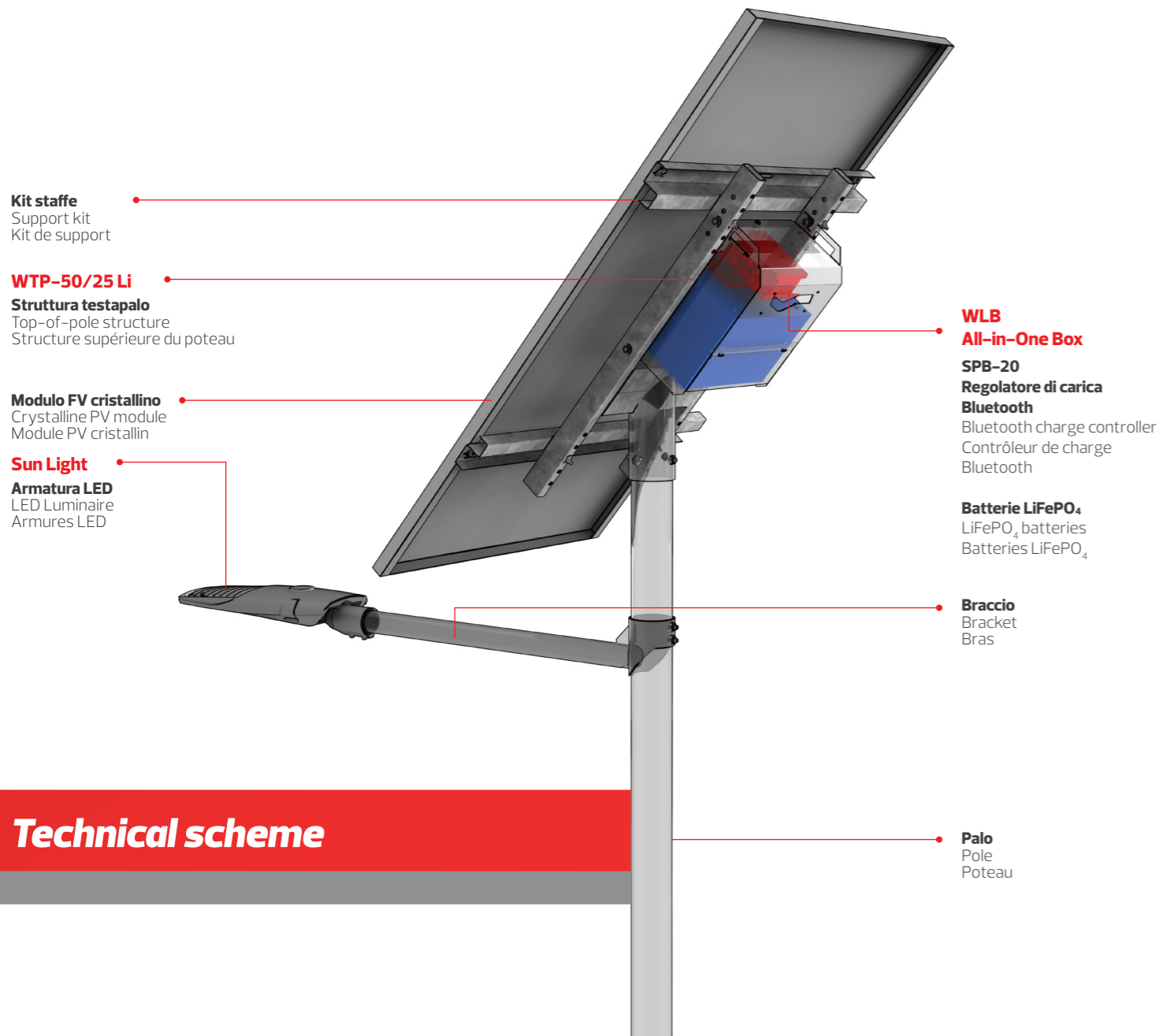
**Caratteristiche tecniche**

[eng] Technical characteristics

[fra] Caractéristiques techniques

<b>Pv module</b>	300W / 150W monocrystalline Two versions available with tilt angle 50° or 25° for optimum installation at different latitudes.
<b>Battery</b>	LiFePO <sub>4</sub> >3500Cycles (80%DOD) 12V 60Ah / 12V 100Ah
<b>Charge controller *</b>	SPB-20 Bluetooth connection by smartphone or PC. MPPT high efficiency (> 95%)
<b>Street lamp</b>	Sun Light Western CO. Available models: 24W 3418lm / 30W 4209lm / 36W 5044lm / 42W 5697lm / 60W 8422lm / 72W 10088lm / 84W 11394lm
<b>Color temperature – CRI</b>	4000°K – CRI>70
<b>Optic</b>	Asymmetric for street and wide area lighting, suitable for ME class as UNI 11248 and UNI 13201-2. PMMA material protected by flat glass.
<b>Light control</b>	Self-management flux reduction to maximize lamp operation during cloudy days.
<b>Mechanical parts</b>	Top of pole battery box steel made hot deep galvanized. Wind load resistance in accordance to Eurocode 0-1-3 and production compliant to EN1090-2. Pole: 7mt high above the ground, steel made and hot deep galvanized.

\*on demand may be supplied SPB-LS/GSM charge controller with 2G modem with data monitoring through Western CO. web application (WCloud).

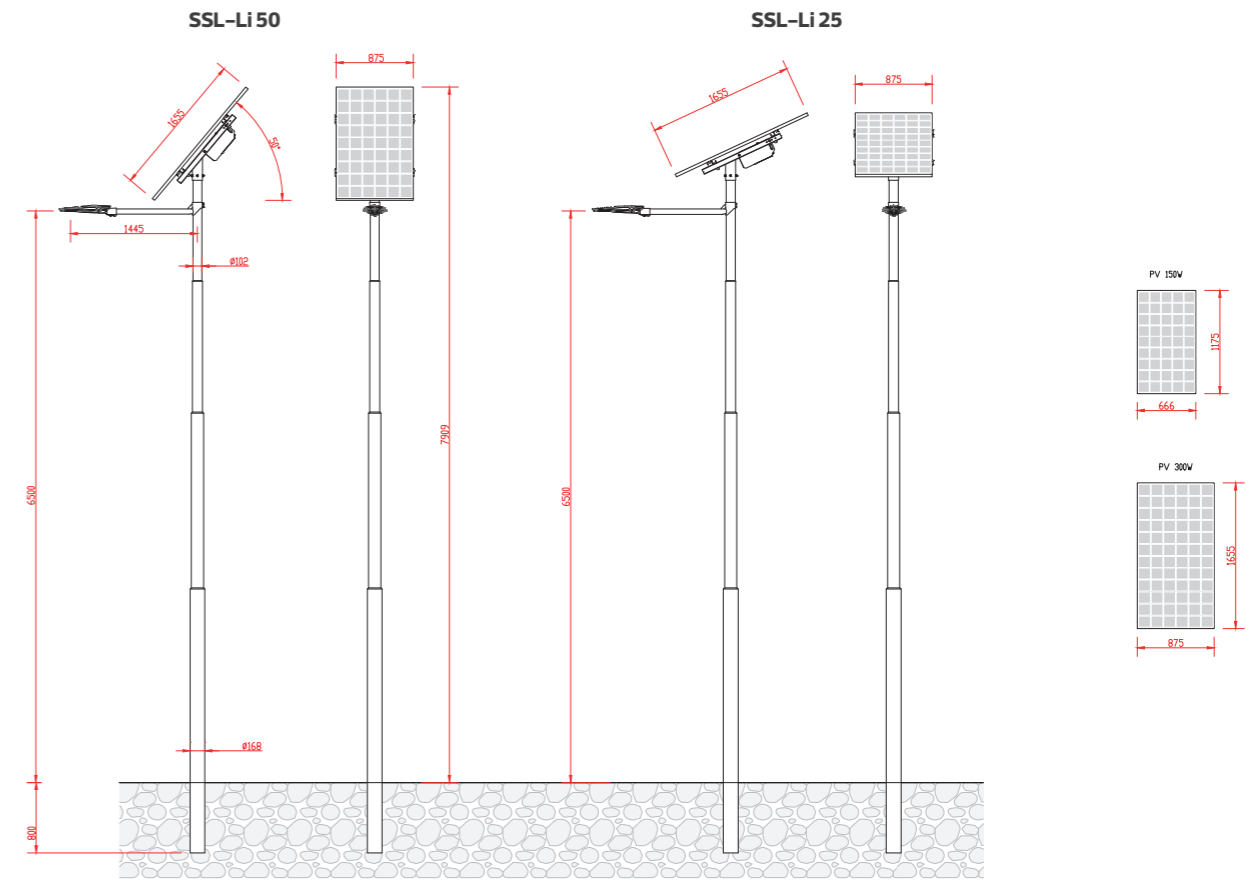


**Technical scheme**

**Dimensioni del prodotto**

[eng] Product dimensions

[fra] Dimensions du produit



**Realizzazioni**

[eng] Realizations

[fra] Réalisations

