

Parks and gardens lighting

PV solution for urban applications



—
SPL

SPL**Descrizione prodotto**

Lampione ad alimentazione fotovoltaica per illuminazione di giardini, parchi, marciapiedi e piste ciclabili. Dal design compatto e struttura in acciaio verniciato grigio micaceo è disponibile con batteria al litio (LiFePO₄) di ultima generazione o batteria al Piombo Gel ad alto numero di cicli (>1500 cicli DOD 50%).

[eng]**Product description**

Photovoltaic powered streetlamp for lighting gardens, parks, sidewalks and cycle paths. With a compact design and structure in micaceous gray painted steel, it is available with the latest generation lithium battery (LiFePO₄) or lead gel battery with a high number of cycles (> 1500 DOD 50%).

[fra]**Product description**

Lampadaire photovoltaïque pour l'éclairage de jardins, parcs, trottoirs et pistes cyclables. Avec une conception et une structure compactes en acier peint gris micacé, il est disponible avec une batterie au lithium de dernière génération (LiFePO₄) ou une batterie au plomb gel à cycle élevé (> 1500 DOD 50% cycles).



SPL-12W | SPL-18W | SPL-12W-Li-30Ah | SPL-18W-Li-30Ah | SPL-18W-Li-60Ah

Caratteristiche prodotto

Long life (>1500 cycles 50% DOD) deep cycles Pb Gel battery or LiFePO₄ battery long life and high performance



High efficiency LED lamps

[eng]**Product features**

High reliability PWM technology charge controller



Flux reduction self management to prevent low battery level

[fra]**Caractéristiques du produit**

Easy to install and maintenance



Installation on gardens, parks, sidewalks, bicycle lanes and parking area

Lampade disponibili**[eng]** Available lamps**[fra]** Lampes disponibles

Sun Light XS 12-18 DARK GREY
LED lamp

Pag. 36

(Maggiori informazioni - More info - Plus d'informations)

Batterie disponibili**[eng]** Available batteries**[fra]** Batteries disponibles

60Ah - Pb Gel
SPL12-W
SPL18-W



30Ah - LiFePO₄
SPL-12W-Li-30Ah
SPL-18W-Li-30Ah



60Ah - LiFePO₄
SPL-18W-Li-60Ah

Controllo

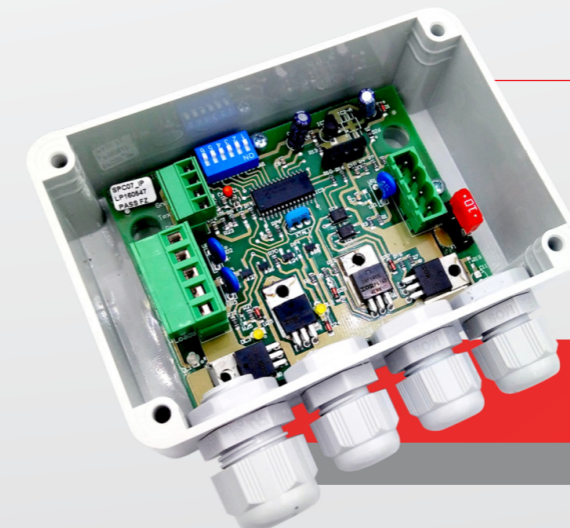
Regolatore PWM specifico per illuminazione a LED 10A - IP56. Impostabile sia per batterie a Piombo che per batterie LiFePO₄.

[eng]**Control**

Specific PWM controller for LED lighting 10A - IP56. Can be set for both lead-acid and LiFePO₄ batteries.

[fra]**Contrôle**

Régulateur PWM spécifique pour éclairage LED 10A - IP56. Réglable pour les batteries au plomb et LiFePO₄.

**SPC07-IP2**

Can be set for both lead-acid and LiFePO₄ batteries.

Caratteristiche tecniche

[eng] Technical characteristics

[fra] Caractéristiques techniques

Pv module	100W monocrystalline. Adjustable tilt angle 60° or 30° for optimum installation at different latitudes.
Battery	1x12V 56Ah Pb Gel deep cycles >1500 (60%DOD) for SPL12-W and SPL18-W models. 1x30Ah LiFePO₄ >3500 cycles (80%DOD) for SPL-12W-Li-30Ah and SPL-18W-Li-30Ah models. 11x60Ah LiFePO₄ >3500 cycles (80%DOD) for SPL-18W-Li60Ah model.
Charge controller	SPC07-IP2
Street lamp	Sun Light Western CO. Available models: 12W 1830lm / 18W 2695lm
Color temperature – CRI	4000°K – CRI>70
Optic	Asymmetric, suitable for gardens, parks, walkways, bicycle lanes, and parking areas. PMMA material protected by flat glass.
Mechanical parts	Top of pole battery box steel made treated with cataphoresis process and dark gray painted. Wind load resistance in accordance to Eurocode 0-1-3 and production compliant to EN1090-2 . Pole: 7mt high above the ground, steel made, hot deep galvanized and dark gray painted.

Struttura testapalo
Top-of-pole structure
Structure supérieure du poteau

Kit staffe
Support kit
Kit de support

Modulo FV cristallino
Crystalline PV module
Module PV cristallin

Braccio
Bracket
Bras

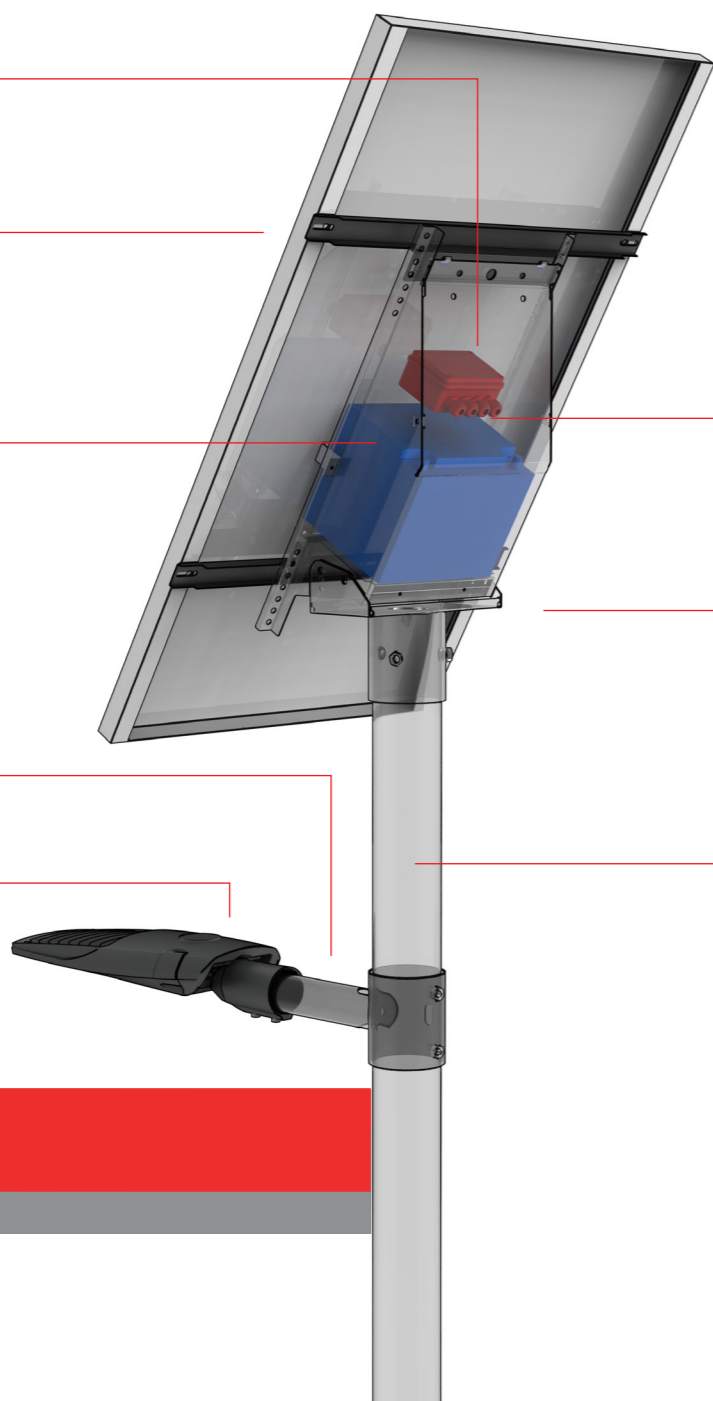
Sun Light
Armatura LED
LED Luminaire
Armures LED

SPC07-IP2
Regolatore di carica
Charge Controller
Contrôleur de charge

Batterie ermetiche
Sealed batteries
Batteries scellées

Palo
Pole
Poteau

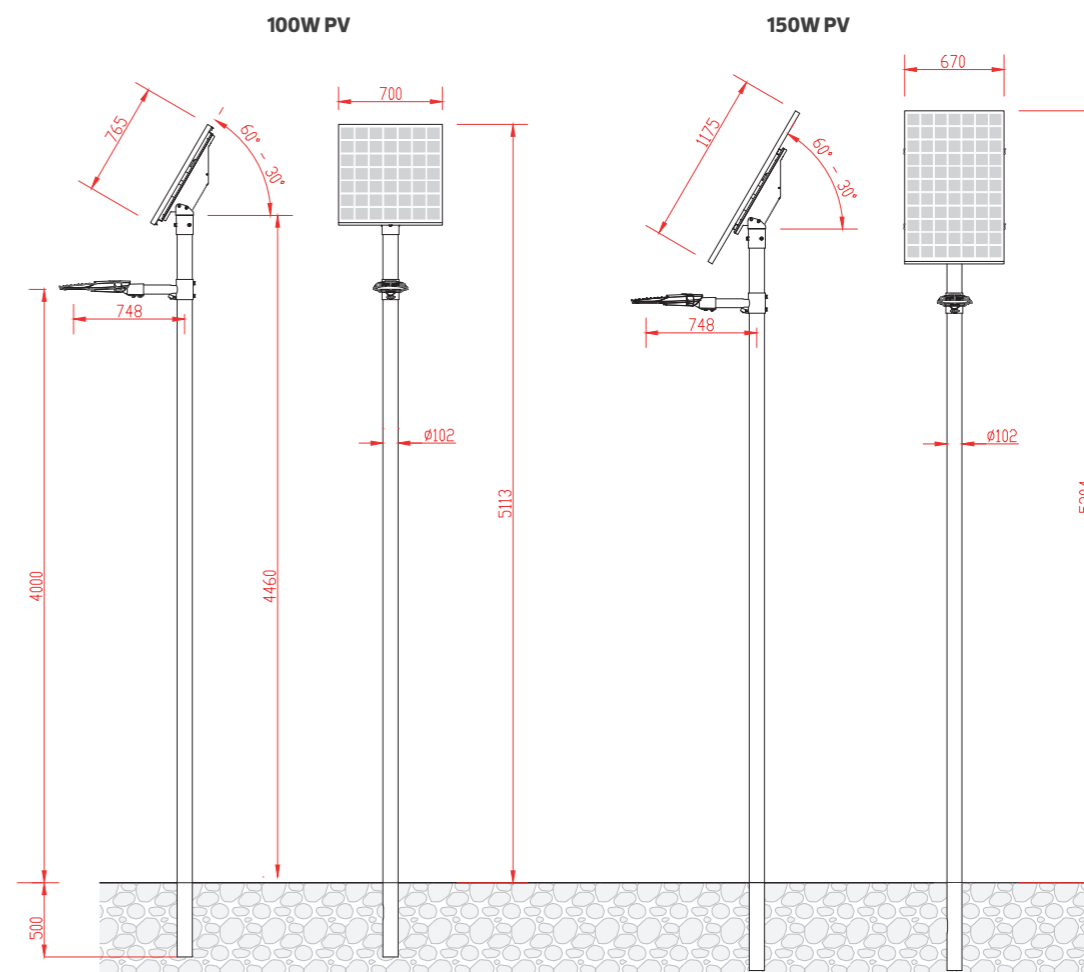
Technical scheme



Dimensioni del prodotto

[eng] Product dimensions

[fra] Dimensions du produit



Realizzazioni

[eng] Realizations

[fra] Réalisations

