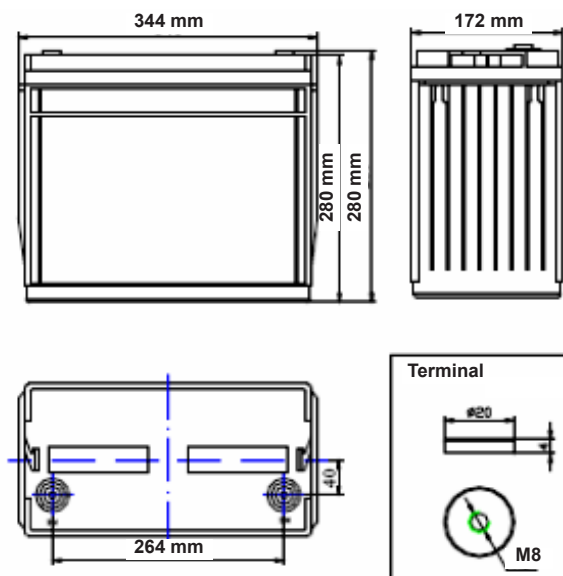


ZLS1201105

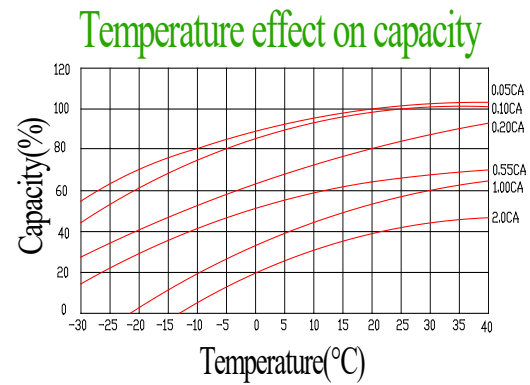
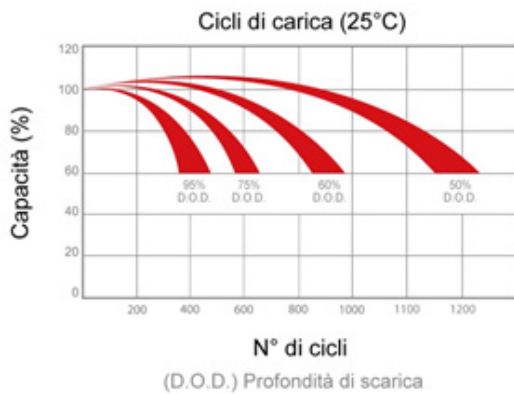


CHARACTERISTIC / CARATTERISTICHE	
Volt	12V
Capacity / Capacità	20h 135Ah
	10h 122Ah
	5h 110Ah
	2h 95Ah
Capacity affected by Temperature / Effetti delle temperature sulla capacità	40°C 102%
	25°C 100%
	0°C 70%
Self-Discharge 25°C Capacity / Autoscarica a 25°C	after 3 month storage 90%
	after 6 month storage 80%
	after 12 month storage 62%
Charge cycle / Ciclo di carica	IU + h "In" max. 25Amp; "V1" 2.43V/cell
	IUIa "In" max. 25Amp; "V1" 14.1Volt; "If" 1.5Amp.

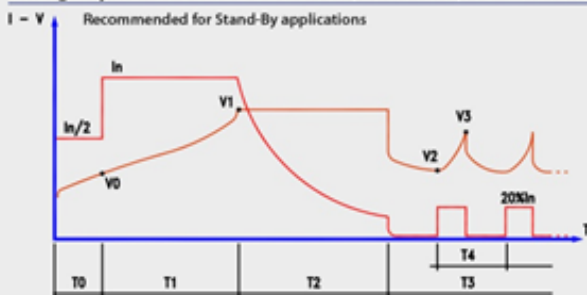
CHARACTERISTIC / CARATTERISTICHE			
Battery dimensions / Dimensioni batteria			
L/L	W/P	H/A	Tot - H/A
344	172	280	280
Box Dimensions / Dimensioni scatola			
L/L	W/P	H/A	
275	182	272	
Weight / Peso		46 Kg	
Terminal / Terminali		M8	
Case / Contenitore		ABS	
Plt Qt / Qt per pallet		24	
Internal impedance/ resistenza interna		<4.5mΩ	



ZLS1201105



Charge cycle for sealed batteries (GEL/AGM): IU + holding

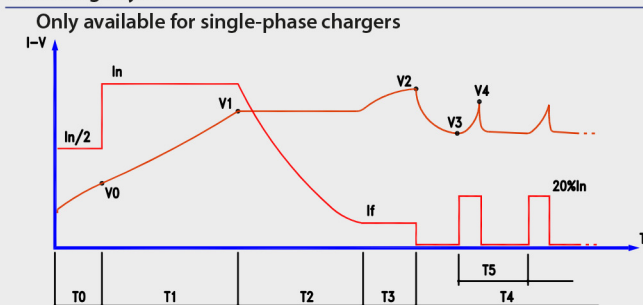


- I_n = PROGRAMMED CAPACITY/10
- V_0 = 1,90 V/CELL
- V_1 = PROGRAMMED VALUE
- V_2 = 2,10 V/CELL
- V_3 = 2,30 V/CELL
- T_0 = MAX. 1 HR
- T_1 = MAX. 12 HRS
- T_2 = T_1 (MIN. 2-MAX. 5 HRS)
- T_3 = UNLIMITED

"IUIa" charge cycle is always recommended in case of more than 2 batteries in series

Ciclo di carica "IUIa" è sempre necessario qualora ci siano più di 2 batterie collegate in serie.

IUIa charge cycle



- I_n = PROGRAMMED VALUE (CHARGE I)
- I_f = PROGRAMMED VALUE (FINAL I)
- V_0 = 1,90 V/CELL
- V_1 = PROGRAMMED VALUE (THRESHOLD V)
- V_2 = PROGRAMMED VALUE (LOCK V)
- V_3 = 2,10 V/CELL
- V_4 = 2,30 V/CELL
- T_0 = MAX. 1 HR
- T_1 = MAX. 12 HRS
- T_2 = MAX. $T_1 + 6$ HRS OR $I = I_f$
- T_3 = MAX. 4 HRS
- T_4 = UNLIMITED
- T_5 = MAX. 6 HRS